

NOTES & REVISIONS:
注释及修改:

Number: 编号:	Date: 日期:	Remarks: 备注:

Architects & Engineers, Interior Designers,
Landscape Architects, Urban Planners & Designers,
Environmental Planners, Land Use & Development Planners.

- NOTES: 注:
- All designs, drawings, and specifications are copyright and cannot be used, copied, or reproduced without the prior written consent of Ningbo Jima Space Design Co., Ltd.
 - All measurements must be checked on site. Do not scale drawings.
 - Drawings not showing latest revisions to be cancelled.

Authorized Signature:
授权人签署:

Projected By:
审定:

Decided By:
设计:

Drawn By:
制图:

Checked By:
核对:

Client/Developer:
业主/开发商:

Project:
工程名称:

文献馆

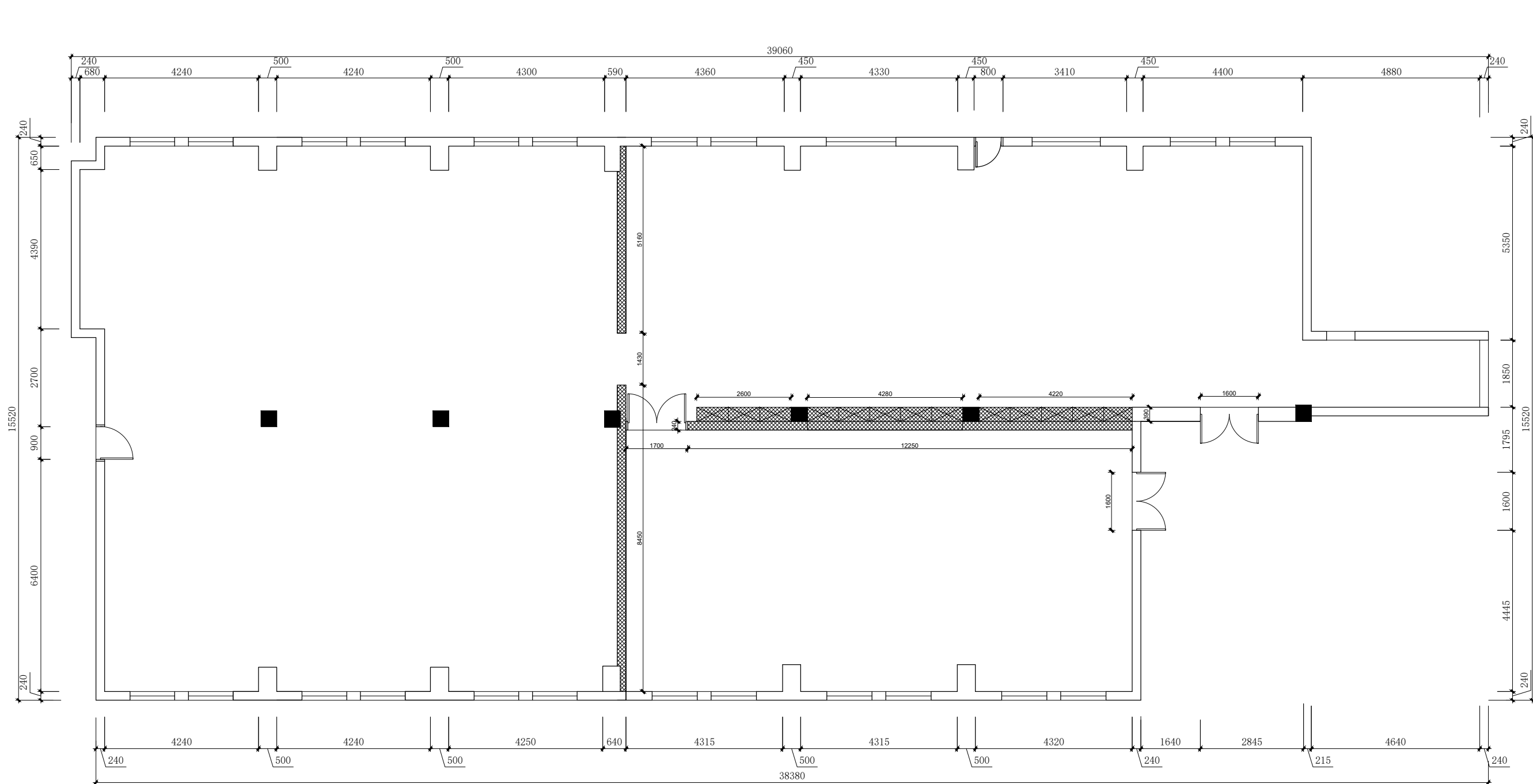
Drawing Title:
图名:

Scale:
比例:

Project/drawing Number:
工程编号/图号:
PM-0-01

原始平面图

SC. 1:120



NOTES & REVISIONS:
 注释及修改:

Number: 编号:	Date: 日期:	Remarks: 备注:

Architects & Engineers. Interior Designers.
 Landscape Architects. Urban Planners & Designers.
 Environmental Planners. Land Use & Development Planners.

NOTES: 注:
 1. All designs, drawings, and specifications are copyright and cannot be used, copied, or reproduced without the prior written consent of Ningbo Jilun Space Design Co., Ltd.
 2. All measurements must be checked on site. Do not scale drawings.
 3. Drawings not showing latest revisions to be cancelled.

Authorized Signature:
 授权人签署:

Projected By:
 审定:

Decided By:
 设计:

Drawn By:
 制图:

Checked By:
 核对:

Client/Developer:
 业主/开发商:

Project:
 工程名称: 文献馆

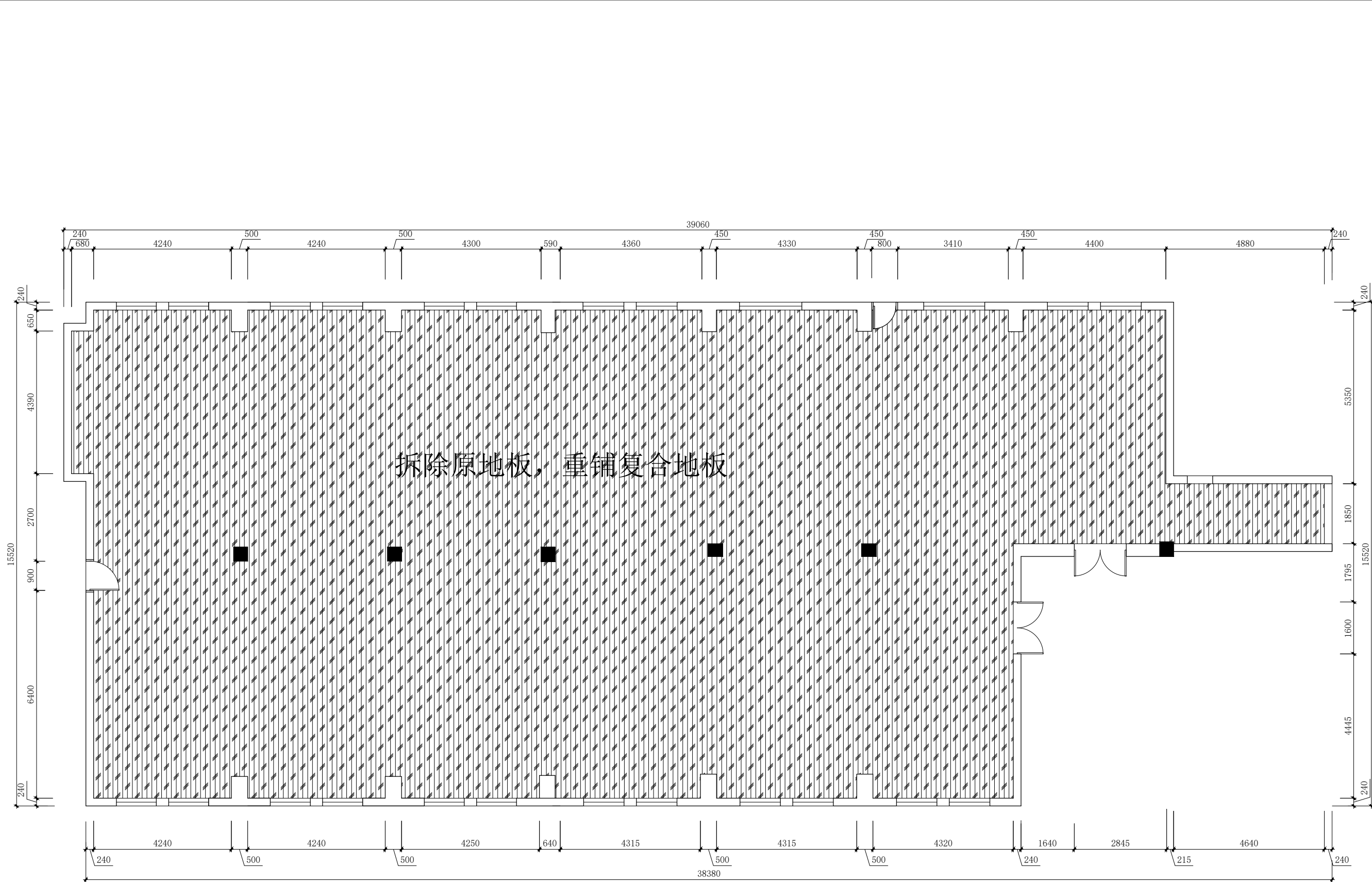
Drawing Title:
 图名:

Scale:
 比例:

Project/drawing Number:
 工程编号/图号: PM-0-02

拆墙尺寸图

SC. 1:120



NOTES & REVISIONS:

注释及修改:
 Number: Date: Remarks:
 编号: 日期: 备注:

Architects & Engineers, Interior Designers,
 Landscape Architects, Urban Planners & Designers,
 Environmental Planners, Land Use & Development Planners.

- NOTES: 注:
 1. All designs, drawings, and specifications are copyright and cannot be used, copied, or reproduced without the prior written consent of Ningbo Jiluo Space Design Co., Ltd.
 2. All measurements must be checked on site. Do not scale drawings.
 3. Drawings not showing latest revisions to be cancelled.

Authorized Signature:
 授权人签署:

Projected By:
 审定:

Date:
 日期:

Decided By:
 设计:

Drawn By:
 制图:

Checked By:
 核对:

Client/Developer:
 业主/开发商:

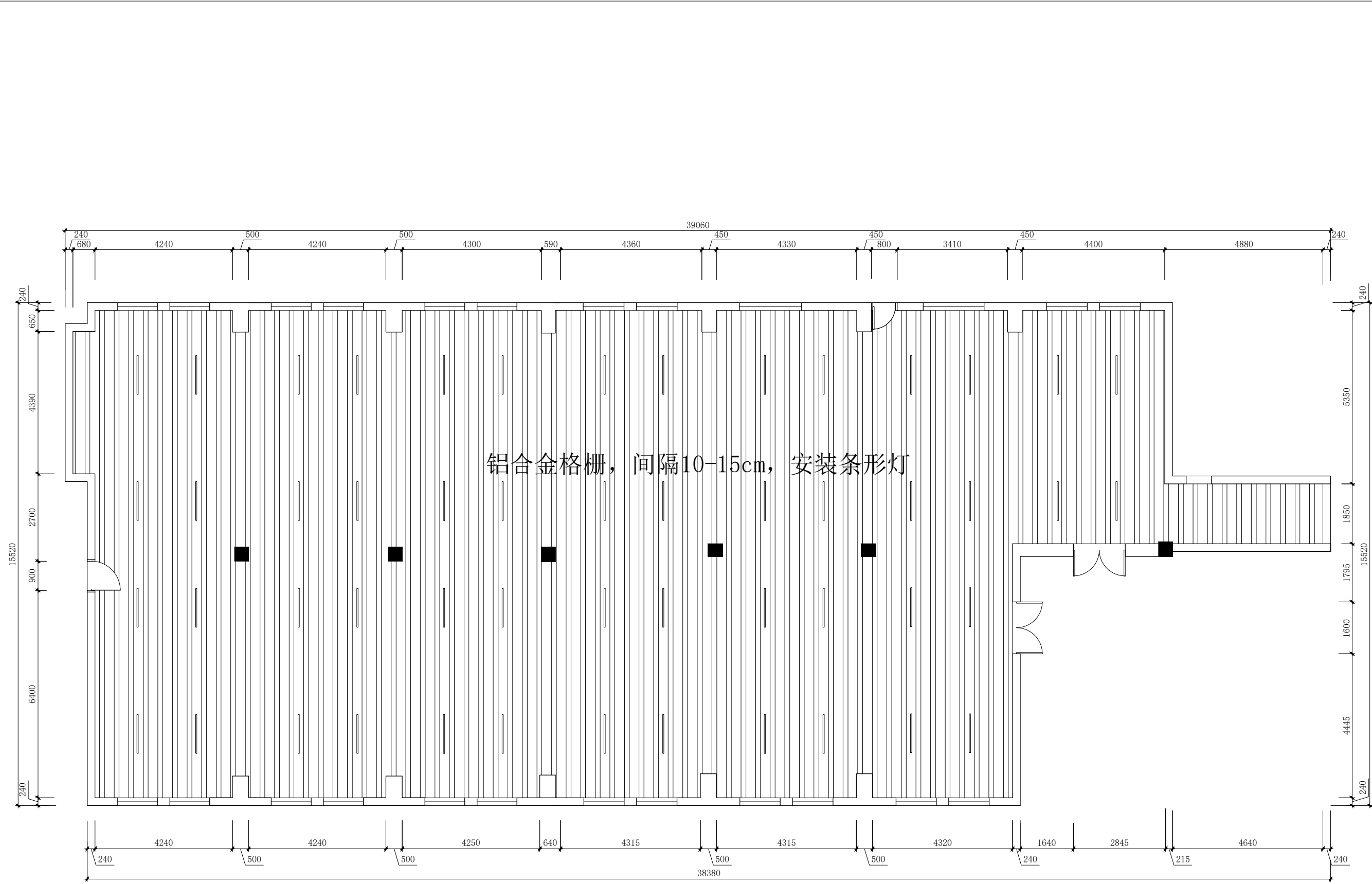
Project:
 工程名称: 文献馆

Drawing Title:
 图名:

Scale:
 比例:

Project/drawing Number:
 工程编号/图号: PM-0-03

地面材质图



NOTES & REVISIONS:
 注释及修改:
 Number: 编号: Date: 日期: Remarks: 备注:

Architects & Engineers. Interior Designers.
 Landscape Architects. Urban Planners & Designers.
 Environmental Planners. Land Use & Development Planners.

NOTES: 注:
 1. All designs, drawings, and specifications are copyright and cannot be used, copied, or reproduced without the prior written consent of Ningbo Jiluo Space Design Co., Ltd.
 2. All measurements must be checked on site. Do not scale drawings.
 3. Drawings not showing latest revisions to be cancelled.

Authorized Signature:
 授权人签署:

Projected By: 审定: Date: 日期:

Designed By: 设计:

Drawn By: 制图:

Checked By: 核对:

Client/Developer: 业主/开发商:

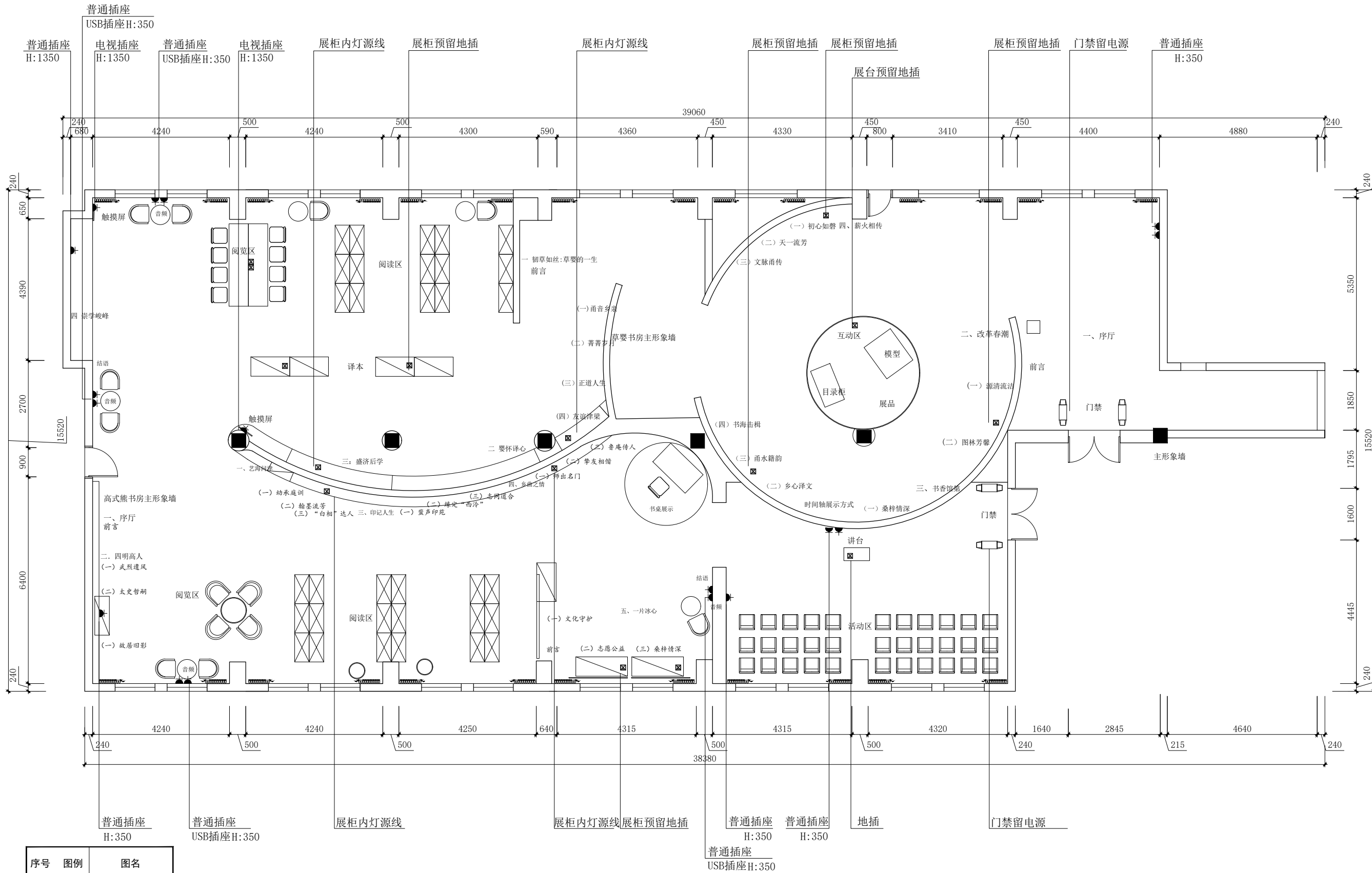
Project: 工程名称: 文献馆

Drawing Title: 图名:

Scale: 比例: Project/drawing Number: 工程编号/图号: PM-0-04

天花布置图

SC. 1:120



序号	图例	图名
1		二三眼插座 H=350
2		二三眼地面插座
3		
4		

NOTES & REVISIONS:
 注释及修改:
 Number: _____ Date: _____ Remarks: _____
 编号: _____ 日期: _____ 备注: _____

Architects & Engineers, Interior Designers,
 Landscape Architects, Urban Planners & Designers,
 Environmental Planners, Land Use & Development Planners.

NOTES: 注:
 1. All designs, drawings, and specifications are copyright and cannot be used, copied, or reproduced without the prior written consent of Ningbo Jifu Space Design Co., Ltd.
 2. All measurements must be checked on site. Do not scale drawings.
 3. Drawings not showing latest revisions to be cancelled.

Authorized Signature:
 授权人签署: _____

Projected By: _____ Date: _____
 审定: _____ 日期: _____

Designed By: _____
 设计: _____

Drawn By: _____
 制图: _____

Checked By: _____
 核对: _____

Client/Developer: _____
 业主/开发商: _____

Project: 文献馆

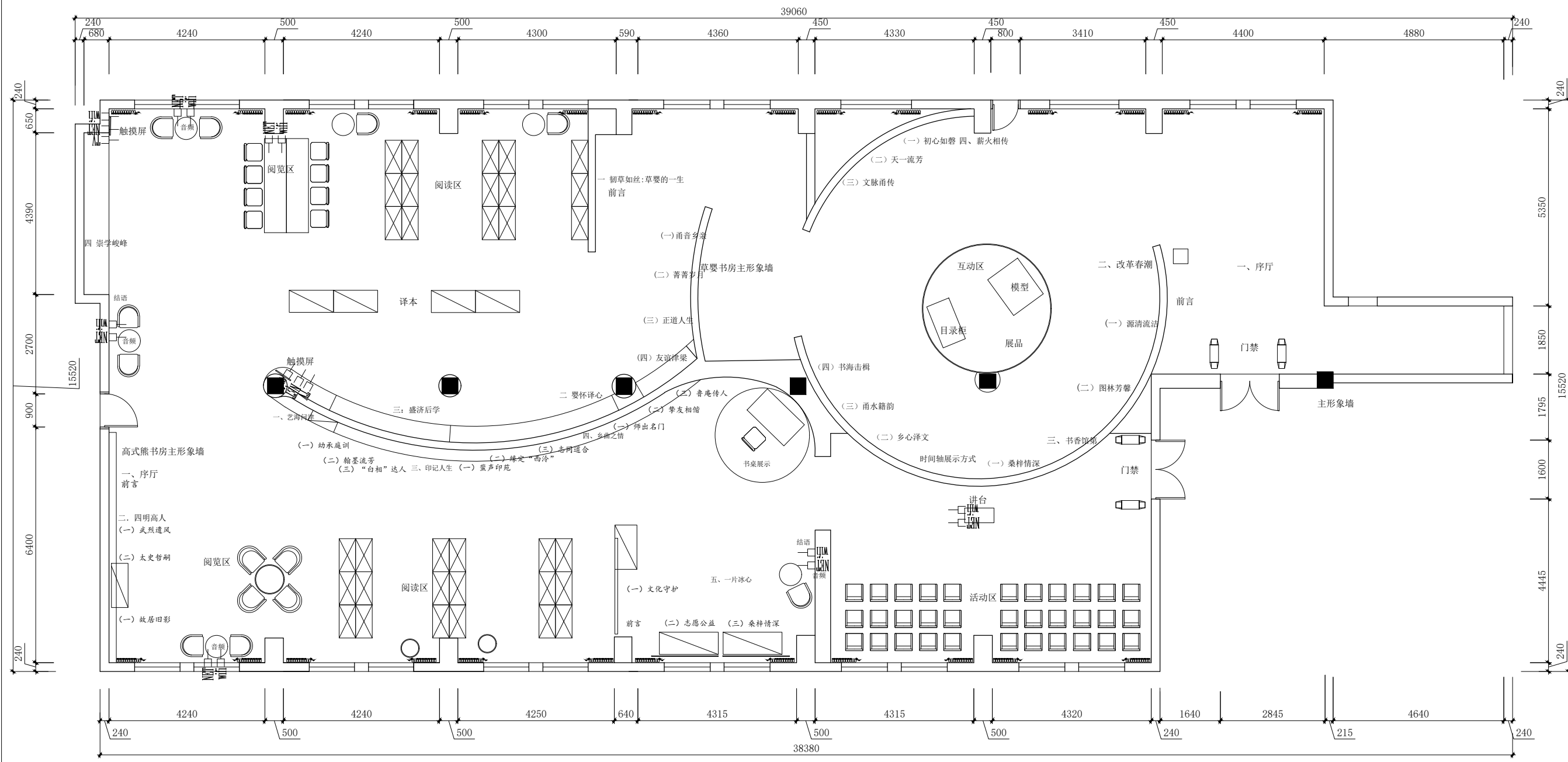
Drawing Title: _____
 图名: _____

Scale: _____ Project/drawing Number: _____
 比例: _____ 工程编号/图号: _____

PM-0-05

插座布局图

NOTES & REVISIONS:
 注释及修改:
 Number: 编号: Date: 日期: Remarks: 备注:



序号	图例	图名
1	—□—NET	网络插座 H=300
2	—□—TV	电视插座 H=300
3	—□—wifi	wifi面板 H=1300

Architects & Engineers, Interior Designers,
 Landscape Architects, Urban Planners & Designers,
 Environmental Planners, Land Use & Development Planners.

NOTES: 注:
 1. All designs, drawings, and specifications are copyright and cannot be used, copied, or reproduced without the prior written consent of Ningbo Jiluo Space Design Co., Ltd.
 2. All measurements must be checked on site. Do not scale drawings.
 3. Drawings not showing latest revisions to be cancelled.

Authorized Signature:
 授权人签署:

Projected By: 审定: Date: 日期:

Designed By: 设计:

Drawn By: 制图:

Checked By: 核对:

Client/Developer: 业主/开发商:

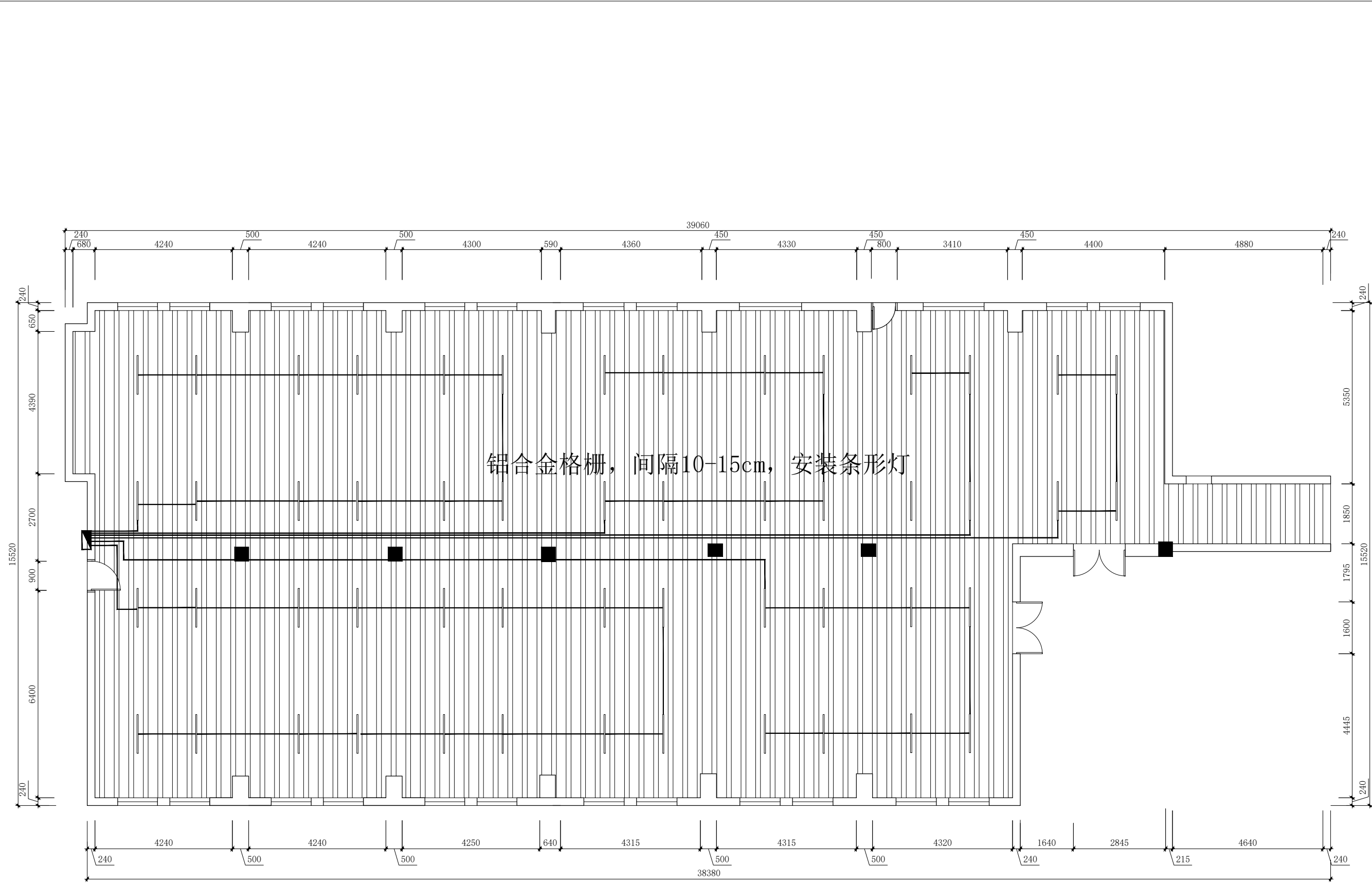
Project: 项目名称: 文献馆

Drawing Title: 图名:

Scale: 比例: Project/drawing Number: 工程编号/图号: PM-0-06

弱电布局图

SC. 1:120



NOTES & REVISIONS:
 注释及修改:
 Number: 编号: Date: 日期: Remarks: 备注:

Architects & Engineers. Interior Designers.
 Landscape Architects. Urban Planners & Designers.
 Environmental Planners. Land Use & Development Planners.

NOTES: 注:
 1. All designs, drawings, and specifications are copyright and cannot be used, copied, or reproduced without the prior written consent of Ningbo Jiluo Space Design Co., Ltd.
 2. All measurements must be checked on site. Do not scale drawings.
 3. Drawings not showing latest revisions to be cancelled.

Authorized Signature:
 授权人签署:

Projected By: 审定: Date: 日期:

Designed By: 设计:

Drawn By: 制图:

Checked By: 核对:

Client/Developer: 业主/开发商:

Project: 工程名称: 文献馆

Drawing Title: 图名:

Scale: 比例: Project/drawing Number: 工程编号/图号: PM-0-07

开关定位图

NOTES & REVISIONS:

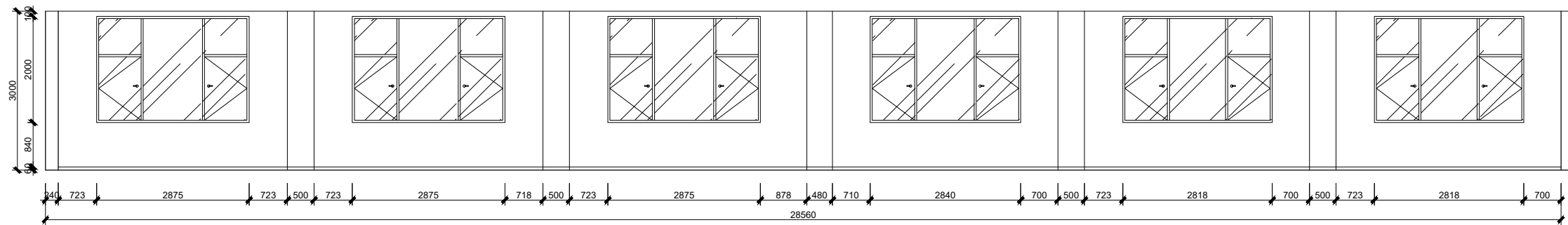
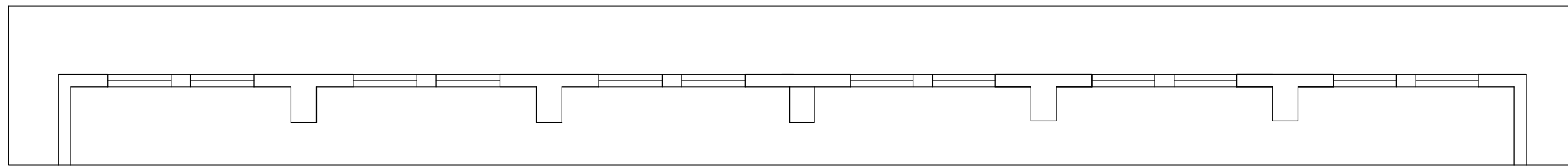
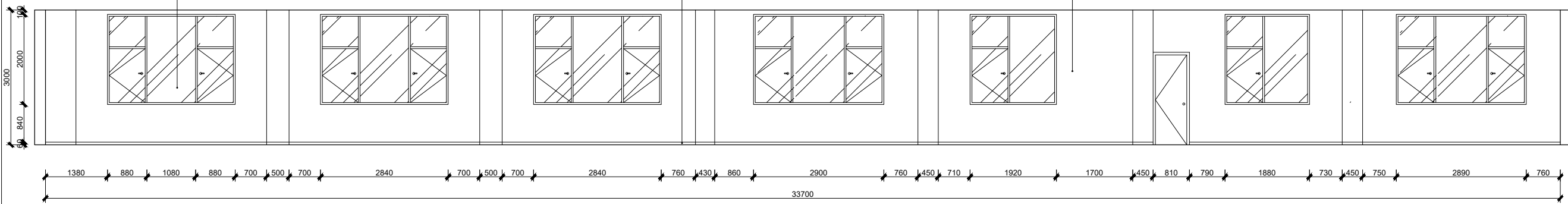
注释及修改:
Number: 日期: Remarks:
编号: 日期: 备注:

原塑钢窗改造铝合金窗

精确尺寸以现场为主, 图纸为窗户参考样式

踢脚线同地板随色, 建议原木色

墙面乳胶漆刷白



Architects & Engineers. Interior Designers.
Landscape Architects. Urban Planners & Designers.
Environmental Planners. Land Use & Development Planners.

NOTES: 注:
1. All designs, drawings, and specifications are copyright and cannot be used, copied, or reproduced without the prior written consent of Ningbo Jiluo Space Design Co., Ltd.
2. All measurements must be checked on site. Do not scale drawings.
3. Drawings not showing latest revisions to be cancelled.

Authorized Signature:
授权人签署:

Projected By: 审定: Date: 日期:

Decisoned By: 设计:

Drawn By: 制图:

Checked By: 核对:

Client/Developer: 业主/开发商:

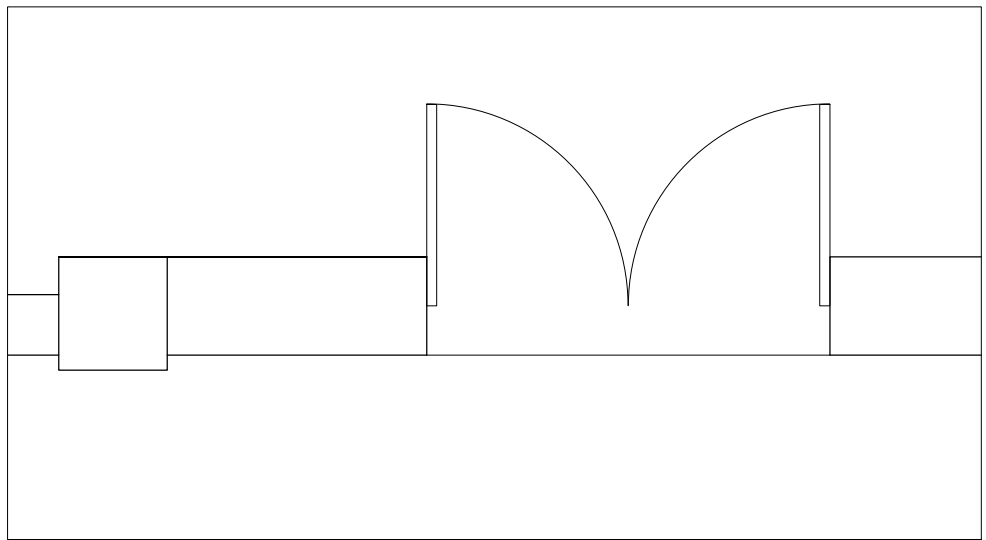
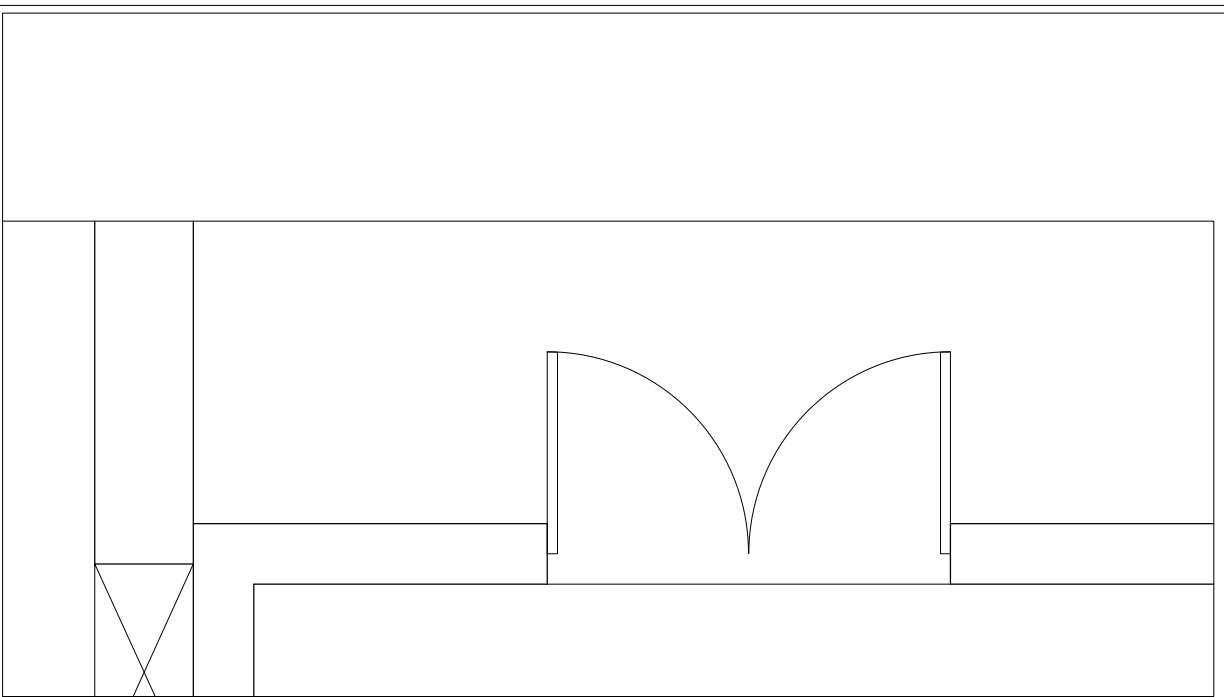
Project: 工程名称: 文献馆

Drawing Title: 图名:

Scale: 比例: Project/drawing Number: 工程编号/图号: PM-0-08

窗户改造立面图

SC. 1:120



实木门套，踢脚线同色

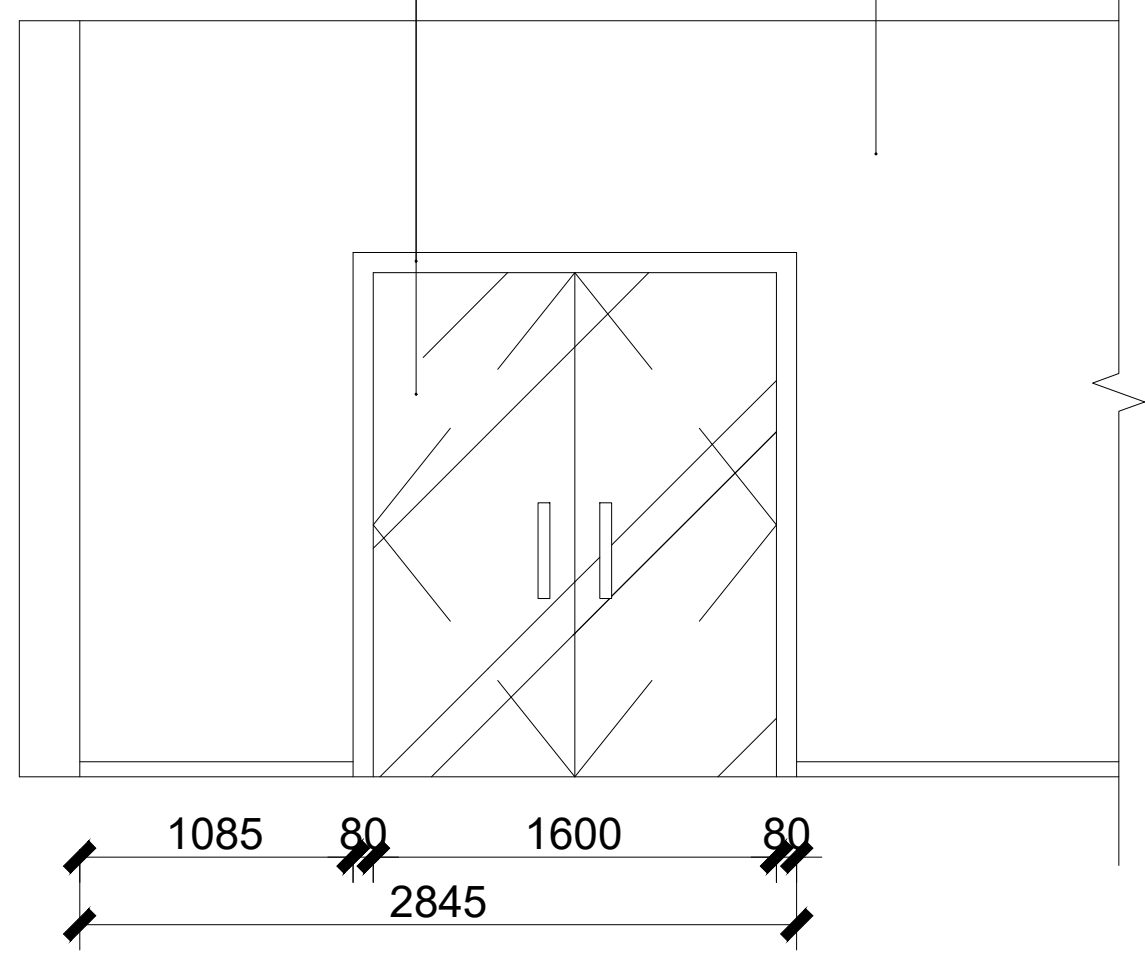
原木门拆除，改钢化玻璃门

墙面乳胶漆刷白

实木门套，踢脚线同色

原木门拆除，改钢化玻璃门

墙面乳胶漆刷白



大门改造立面图

SC. 1:120

NOTES & REVISIONS:

Number:	Date:	Remarks:
编号:	日期:	备注:

Architects & Engineers. Interior Designers.
Landscape Architects. Urban Planners & Designers.
Environmental Planners. Land Use & Development Planners.

NOTES: 注:
1. All designs, drawings, and specifications are copyright and cannot be used, copied, or reproduced without the prior written consent of Ningbo Jiluo Space Design Co., Ltd.
2. All measurements must be checked on site. Do not scale drawings.
3. Drawings not showing latest revisions to be cancelled.

Authorized Signature:
授权人签署:

Projected By:
审定:

Date:
日期:

Decided By:
设计:

Drawn By:
制图:

Checked By:
核对:

Client/Developer:
业主/开发商:

Project:
工程名称:

文献馆

Drawing Title:
图名:

Scale:
比例:

Project/drawing Number:
工程编号/图号:
PM-0-09